

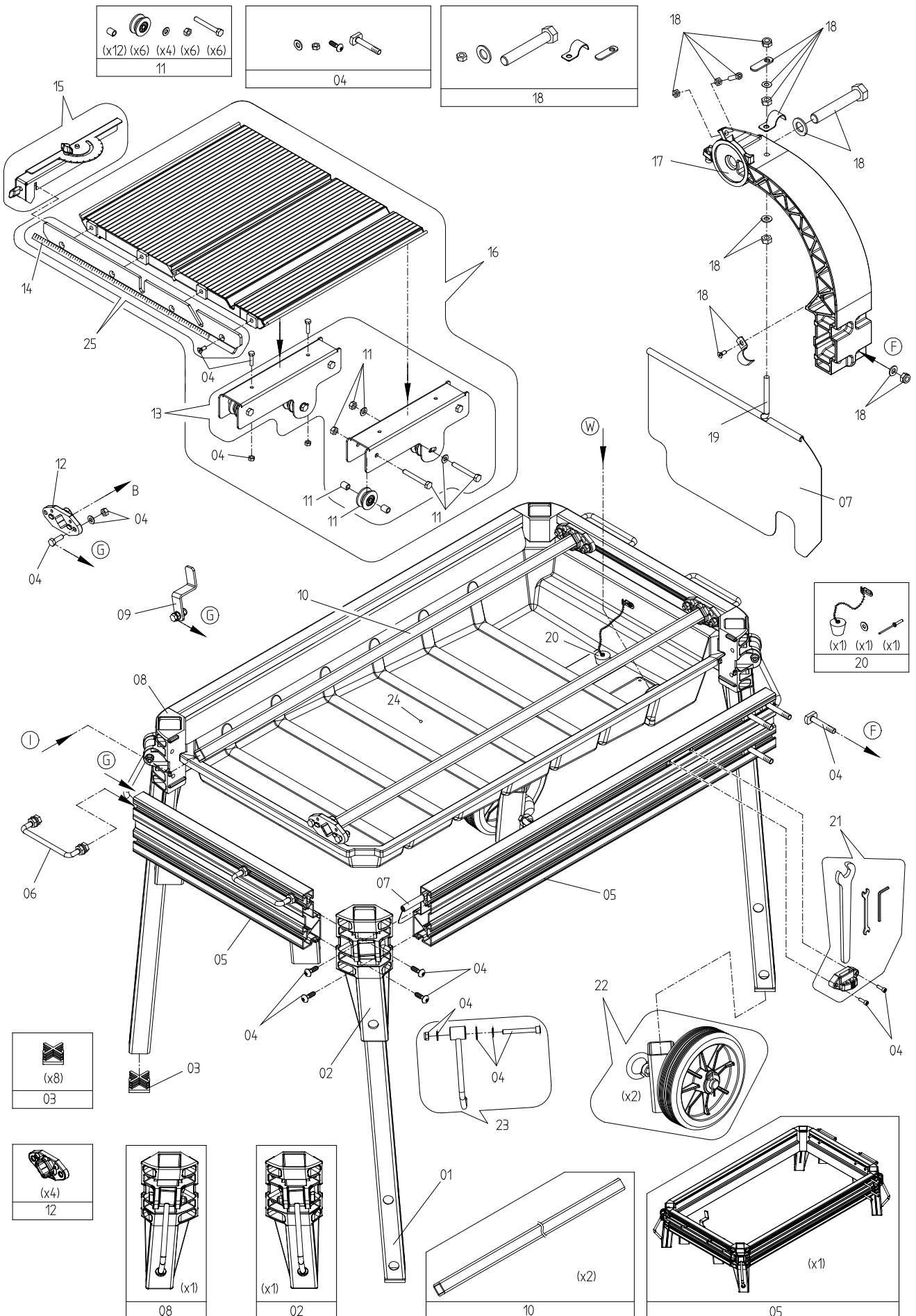


CARAT

T-3510 FRAME

ART. NR: BT3510L000

DATUM: 01/01/2012



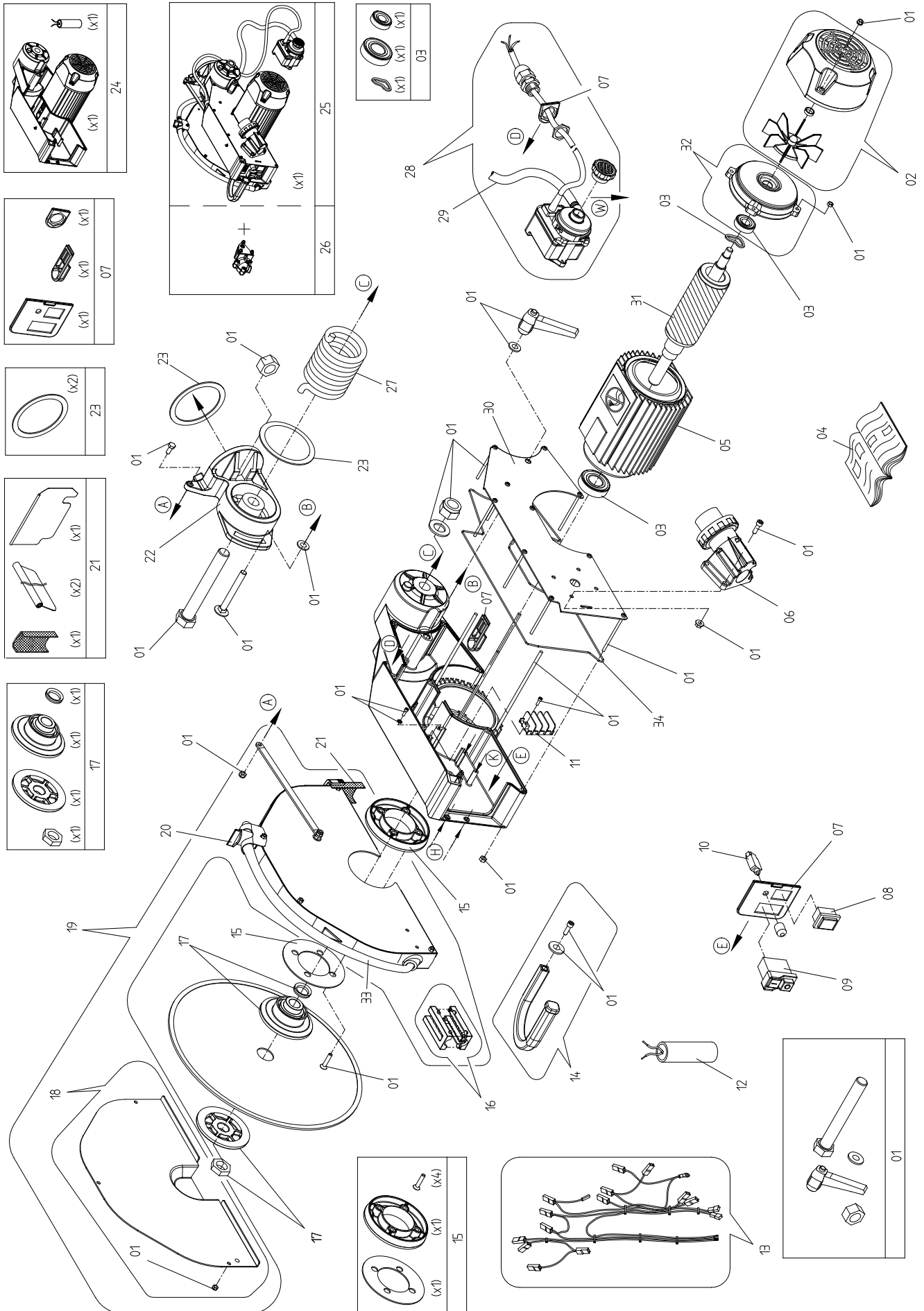


CARAT

T-3510 MOTOR

ART. NR: BT3510L000

DATUM: 01/01/2012



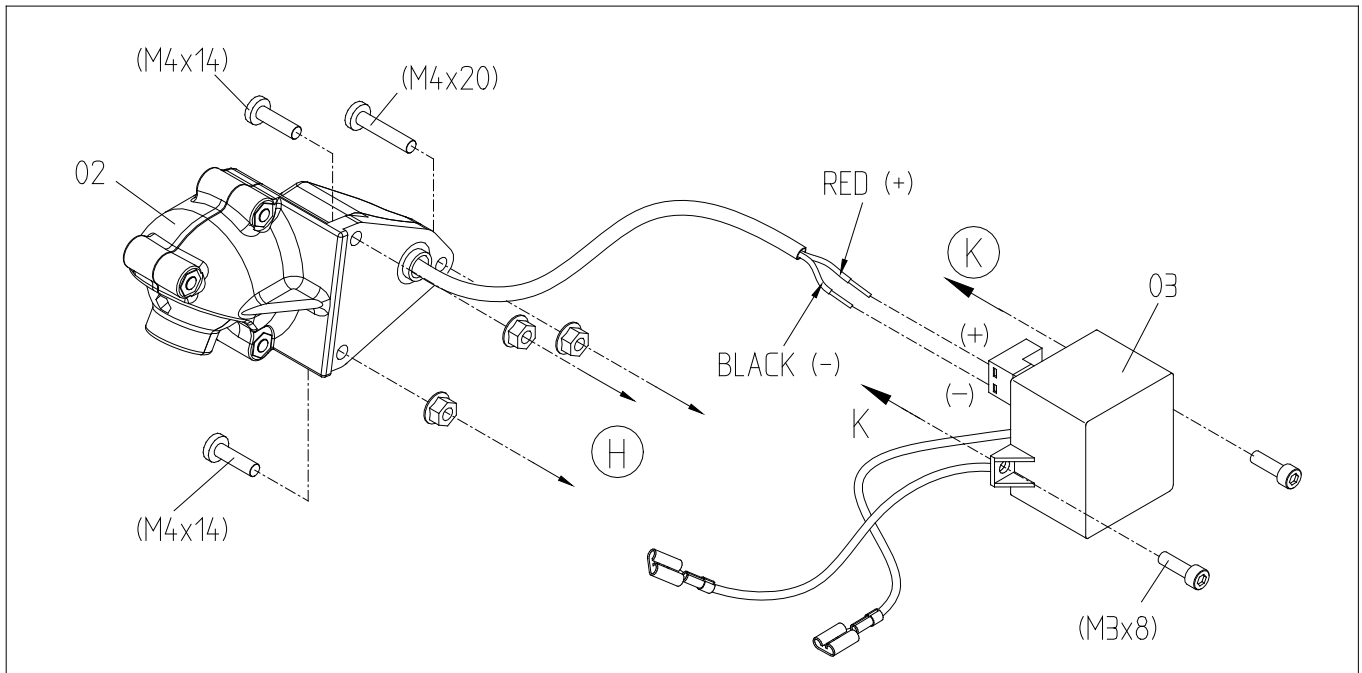
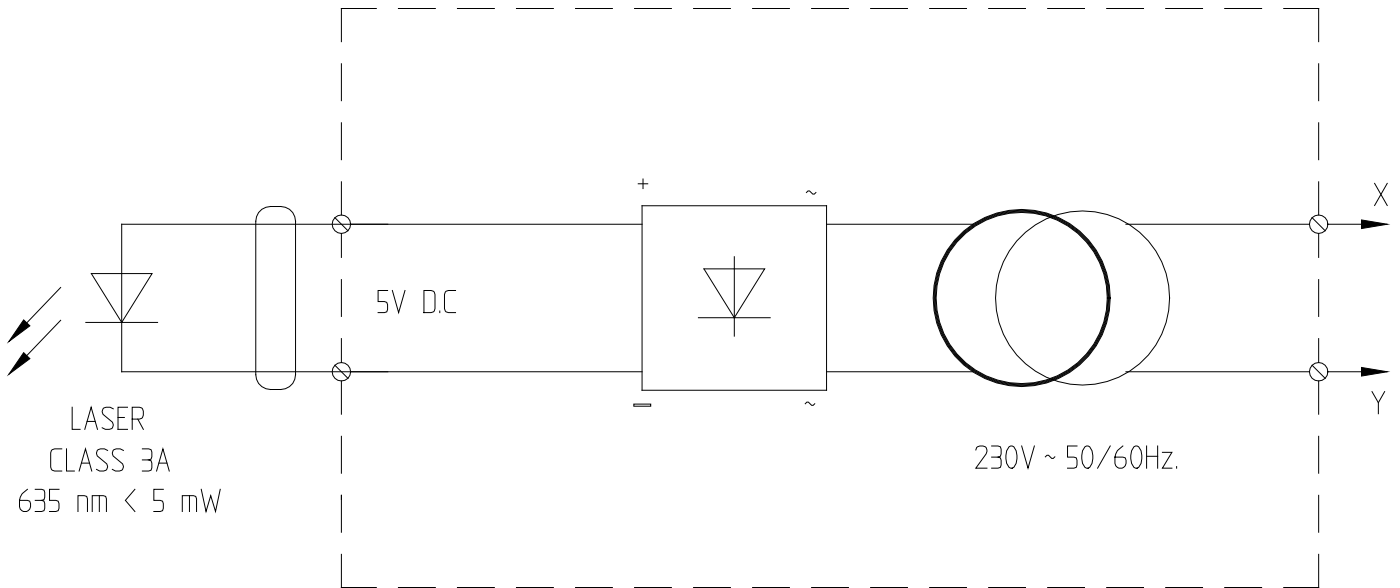


CARAT

T-3510 LASER

ART. NR: BT3510L000

DATUM: 01/01/2012



T-3510 FRAME

POS.	OMSCHRIJVING	ONDERDEELNR
1	SET POTEN COMPL.	XSPC90034000
2	HOEKPROFIEL RECHTS INCL. BLOKKEERHENDEL	XSPC90120000
3	KUNSTSTOF DOP TBV POOT	XSPC90090000
4	SCHROEVEN/MOERENSET TBV FRAME	XSPC90157000
5	ALUMINIUM FRAME COMPLEET	XSPC90008-C0
6	HANDGREEP COMPL.	XSPC90119000
7	SET SPATLAPPEN COMPL.	XSPC90043000
8	HOEKPROFIEL LINKS INCL. BLOKKEERHENDEL	XSPC90121000
9	ZAAGWAGENBLOKKERING COMPL.	XSPC90118000
10	SET RAILS	XSPC90035000
11	WIELSET COMPL. TBV ZAAGWAGEN	XSPC90122000
12	SET RAILHOUDERS	XSPC90011000
13	WIELSTEL INCL. HOUDERS TBV ZAAGWAGEN	XSPC90123000
14	CENTIMETERVERDELING ZAAGWAGEN	XSPC90050000
15	VARIABELE MATERIAALAANSLAG COMPL.	XSPC90107000
16	ZAAGWAGEN COMPL.	XSPC90106000
17	ALUMINIUM ZAAGARM	XSPC90156000
18	SCHROEVEN/MOERENSET TBV ZAAGARM	XSPC90070000
19	HOUDER GROTE SPATLAP	XSPC90320000
20	WATERSTOP COMPL.	XSPC84025000
21	GEREEDSCHAPSET COMPL.	XSPC03032000
22	WIELSTEL COMPL.	XNB90102R000
23	BLOKKEERHENDEL COMPL. TBV POOT	XSPC90039000
24	WATERBAK	XSPC90135000
25	VOORAANSLAG COMPL.	XSPC90024000

T-3510 MOTOR

POS.	OMSCHRIJVING	ONDERDEELNR
1	SCHROEVEN/MOERENSET TBV MOTOR	XSPC90051000
2	VENTILATOR + KAP	XSPC90014000
3	LAGER/RINGENSET TBV MOTOR	XSPC09504200
4	HANDLEIDING	XSPC90134000
5	VELD COMPL. 230V	XSPC90097000
6	OPBOUWSTEKKER COMPL. 230V	XSPC90076000
7	SET MONTAGEPLAATJES	XSPC90020000
8	SPANNINGSAANDUIDING ROOD/GROEN	XSPC90082000
9	SCHAKELAAR	XSPC90080000
10	THERMISCHE VEILIGHEID	XSPC90081000
11	THERMISCHE VEILIGHEID	XSPC90081000
12	CONDENSATOR 40MF.	XSPC90083-10
13	KABELBOOM	XSPC90084000
14	HANDGREEP COMPL.	XSPC90104000
15	SET MONTAGERINGEN TBV ZAAGKAP	XSPC90031000
16	SPROEIVORK COMPL.	XSPC90016000
17	FLENZENSET COMPL.	XSPC90005000
18	PLAAT ZAAGKAP COMPL. Ø350MM	XSPC90022000
19	ZAAGKAP COMPL. Ø350MM	XSPC90103000
20	WATERKRAAN COMPL.	XSPC90153000
21	SET SPATLAPPEN	XSPC90043000
22	ALU. HUIS TBV HOOGTE-INSTELLING	XSPC90003000
23	SET FRICTIERINGEN	XSPC90042000
24	MOTOR COMPL. 230V	XSPC90105000
25	ZAAGKOP COMPL. 230V	XSPC90108000
26	ZAAGKOP COMPL. 230V INCL. LASER	XSPC90108-S0
27	VEER TBV HOOGTE-INSTELLING	XSPC90044000
28	WATERPOMP TYPE P-2 COMPL.	XSPC90125000
29	WATERSLANG	XSPC07071R00
30	MONTAGEPLAAT MOTOR	XSPC90025000
31	ANKER COMPL.	XSPC90047000
32	AFDEKKAP TBV VELD COMPL.	XSPC90056000
33	WATERSLANG	XSPC07071T00
34	DICHTING MONTAGEPLAAT MOTOR	XSPC90059000

T-3510 LASER

POS.	OMSCHRIJVING	ONDERDEELNR
1	LASER COMPL. T-3510	XNB901090000
2	LASER UNIT	XSPC90137000
3	LASER VOEDING	XSPC90138P00