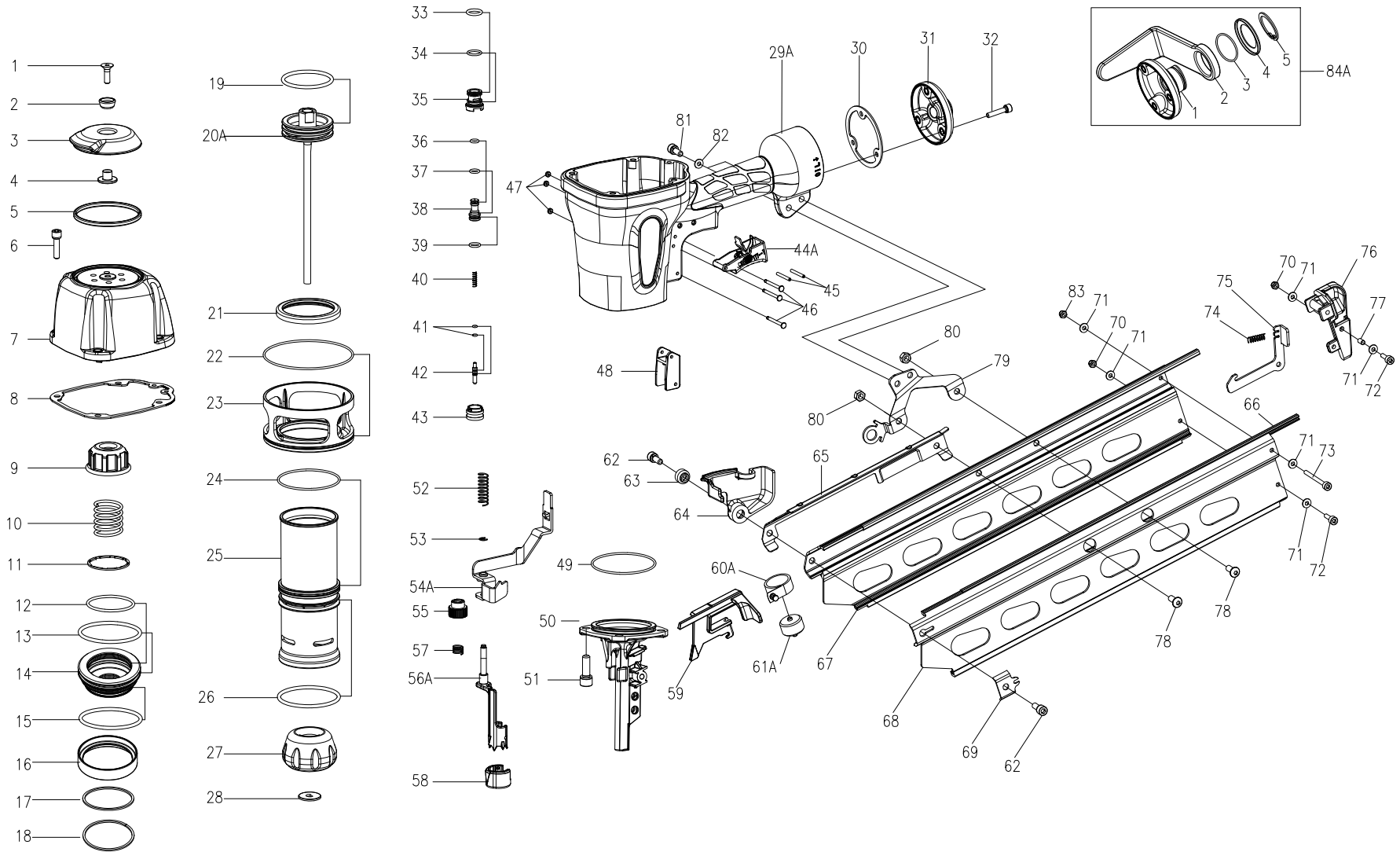


EXPLODED VIEW



Parts List

Item No.	Part No.	Description	Q'ty	Item No.	Part No.	Description	Q'ty
1	32906250766	Hex.Soc.Hd.Bolt	1	46	20770890001	Pin Trigger	3
2	20560230015	Washer	1	47	30700078000	Grommet	3
3	20560010088	Deflector	1	48	20561540015	Guide,Safety Lever	1
4	20560000001	Washer	1	49	30700134000	O-Ring	1
5	30700135000	O-Ring	1	50	20981130466	Nose	1
6	31606300166	Hex.Soc.Hd.Bolt	4	51	30108250166	Hex.Soc.Hd.Bolt	4
7	205600202XX	Cap	1	52	20561490001	Spring,Safety	1
8	20560130000	Gasket	1	53	31304000001	E-ring	1
9	20560140017	Piston Stopper	1	54A	20981482266	Upper Safety Lever Assy.	1set
10	20560160000	Spring	1	55	20561600266	Adjusting Nut	1
11	20560210001	Washer	1	56A	20981511466	Lower Safety Lever Assy.	1set
12	30700049000	O-Ring	1	57	20561630001	Adjusting Spring	1
13	30700138000	O-Ring	1	58	20981580015	Rubber Pad	1
14	21930150000	Piston,Head Valve A	1	59	20982130166	Pusher	1
15	30700177000	O-Ring	1	60A	20562091000	Spiral Spring Assembly	1set
16	21220260000	Piston Head Valve B	1	61A	20562112016	Roller Pin Assembly	1set
17	21220170015	Seal, Piston Head Valve	1	62	30106160766	Hex.Soc.Hd.Bolt	2
18	21220280001	Latch	1	63	20561310001	Nose Cap Bushing	1
19	30700075000	O-Ring	1	64	20981550015	Safety Cap	1
20A	20980462101	Driver Assembly	1set	65	20982460100	Magazine Cover	1
21	20560250017	Seal	1	66	20982070000	Nail Guide Liner	2
22	30700155000	O-Ring	1	67	20982050106	Magazine-Lower	1
23	20560340016	Cylinder Hold Down	1	68	20982200106	Magazine-Upper	1
24	30700140000	O-Ring	1	69	20561870066	Bracket	1
25	20560350000	Cylinder	1	70	30604070001	Locknut	2
26	30700074000	O-Ring	1	71	30900014001	Flat Washer	6
27	20560470015	Bumper	1	72	30104160166	Hex.Soc.Hd.Bolt	2
28	20980480101	Driver Guide	1	73	30104480166	Hex.Soc.Hd.Bolt	1
29A	205606014XX	Body Assembly	1set	74	20562330101	Spring	1
30	20560730000	Gasket	1	75	20562360066	Latch	1
31	205607X00XX	End Cap	1	76	20982180115	Magazine Cap	1
32	30105220866	Hex.Soc.Hd.Bolt	3	77	20562080001	Bushing	1
33	30700079000	O-Ring	1	78	30406120166	Hex.Soc.Hd.Bolt	2
34	30700081000	O-Ring	1	79	20982170166	Bracket	1
35	20750900074	Valve	1	80	30606100001	Locknut	2
36	30700002000	O-Ring	1	81	30106140866	Hex.Soc.Hd.Bolt	2
37	30700024000	O-Ring	1	82	30900015001	Flat Washer	2
38	20750910074	Valve Plunger	1	83	31804070066	Cap Locknut	1
39	30700071000	O-Ring	1	Optional Parts			
40	20770960001	Spring	1	84A	20560832115	Belt Hook Assembly	1set
41	30700080000	O-Ring	2	84A-1	205608X00XX	End Cap	1
42	20770920000	Plunger	1	84A-2	20560830115	Belt Hook	1
43	20770930016	Plunger Cap	1	84A-3	30700101000	O-Ring	1
44A	21930882415	Switchable Trigger Kit	1set	84A-4	20560840001	Cover Belt Hook	1
45	30803250001	Spring Pin	2	84A-5	33428000001	C-Ring	1

FM2190F1#41941100100

5/14/2009