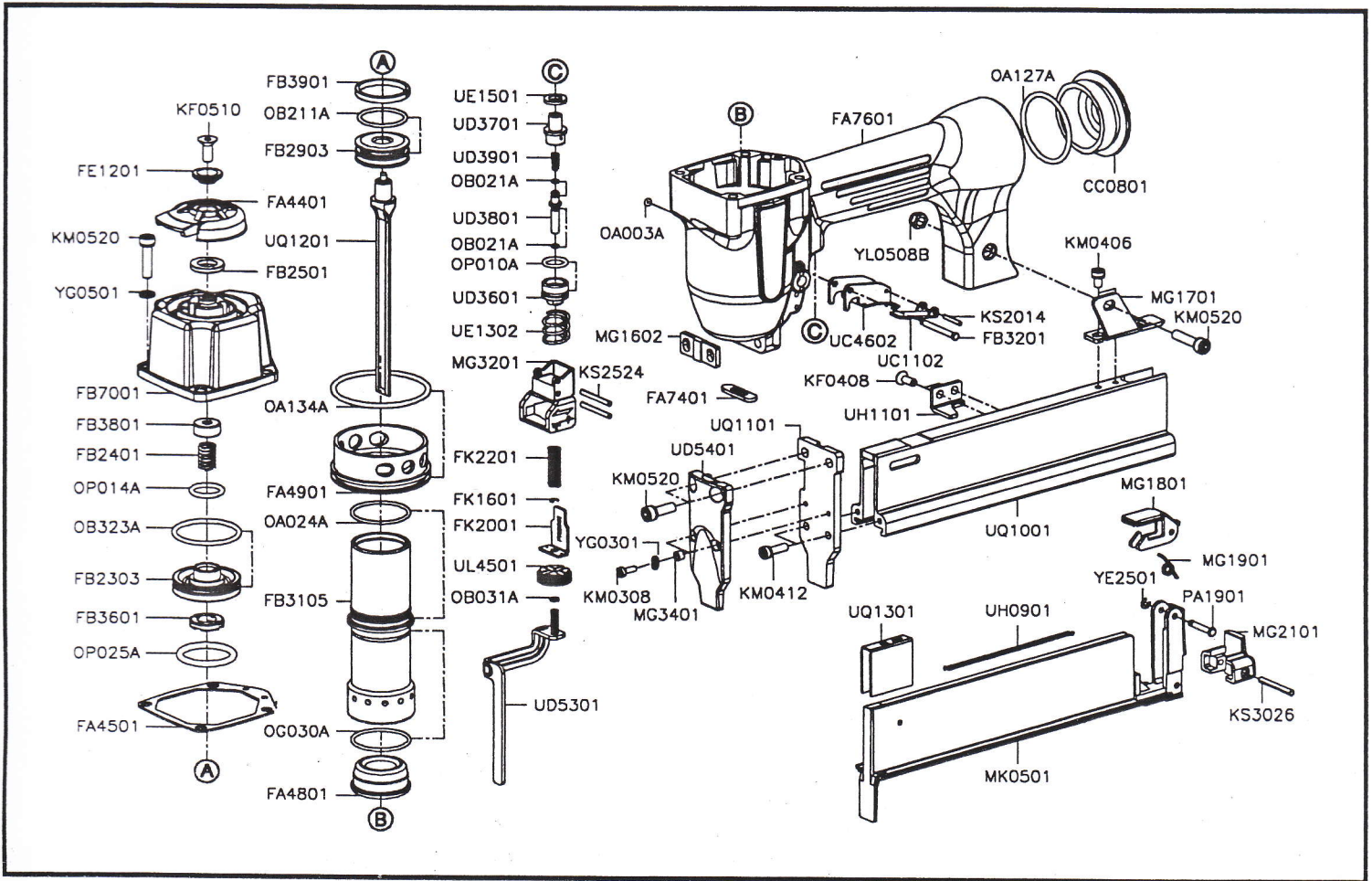


92/40LB09 (UQ/S1-09)



Part_No	Description	Spec	Q'ty	Part_No	Description	Spec	Q'ty	Part_No	Description	Spec	Q'ty
CC0801	END CAP		1	KM0406	MS 0406	M4×0.7-6L	2	OP014A	O-RING = OR 124	P14	1
FA4401	EXHAUST CAP		1	KM0412	HEX.SOC.HD.BOLT	M4×0.7-12L	2	OP025A	O-RING	P25	1
FA4501	CAP SEAL		1	KM0520	MS 0520	M5×0.8-20L	7	PA1901	TRIGGER PIN		1
FA4801	BUMPER		1	KS2014	SPRING PIN	φ 2-14L	1	UC1102	CONTACT LEVER		1
FA4901	COLLAR		1	KS2524	SPRING PIN	φ 2.5-24L	2	UC4602	TRIGGER		1
FA7401	NOZZLE		1	KS3026	SPRING PIN	φ 3-26L	1	UD3601	TRIGGER VALVE GUIDE		1
FA7601	BODY		1	MG1602	GUIDE PLATE		1	UD3701	TRIGGER VALVE SEAT		1
FB2303	HEAD VALVE PISTON		1	MG1701	SUPPORT		1	UD3801	TRIGGER VALVE STEM		1
FB2401	COMPRESSION SPRING		1	MG1801	LATCH		1	UD3901	SPRING		1
FB2501	PISTON STOP		1	MG1901	LATCH SPRING		1	UD5301	SAFETY		1
FB2903	MAIN PISTON		1	MG2101	TRIP COVER		1	UD5401	PLATE		1
FB3105	CYLINDER		1	MG3201	SAFETY GUIDE		1	UE1302	COMPRESSION SPRING		1
FB3201	TRIGGER PIN		1	MG3401	CAP		2	UE1501	SEAL		1
FB3601	PISTON STOP		1	MK0501	MAGAZINE ASSY.		1	UH0901	PULL SPRING		1
FB3801	PISTON STOP		1	OA003A	O-RING	ARP568-003	1	UH1101	MAGAZINE RETAINER		1
FB3901	MAIN PISTON-RING		1	OA024A	O-RING	ARP568-024	1	UL4501	ADJUSTING ROLL		1
FB7001	CYLINDER CAP		1	OA127A	O-RING	ARP568-127	1	UQ1001	MAGAZINE CAP		1
FE1201	EXHAUST CAP RING		1	OA134A	O-RING	ARP568-134	1	UQ1101	COVER PLATE		1
FK1601	C-RING		1	OB021A	O-RING	1.8×1.2	2	UQ1201	DRIVER		1
FK2001	SAFETY (B)		1	OB031A	O-RING	3×1	1	UQ1301	PUSHER		1
FK2201	SAFETY SPRING		1	OB211A	O-RING	20.8×1.78	1	YE2501	E-RING	φ 2.5	1
KF0408	FLAT HD.BOLT	M4×0.7-8L	2	OB323A	O-RING	31.8×2.4	1	YG0301	SPRING WASHER	φ 3	2
KF0510	FLAT HD.BOLT	M5×0.8-10L	1	OG030A	O-RING	G30	1	YG0501	SPRING WASHER	φ 5	4
KM0308	HEX.SOC.HD.BOLT	M3×0.5-8L	2	OP010A	O-RING = APPO 10	P10	1	YL0508B	LOCK NUT	M5×0.8	1

☆☆ If you need to order parts, please mark both Parts No. and Description. ☆☆☆